



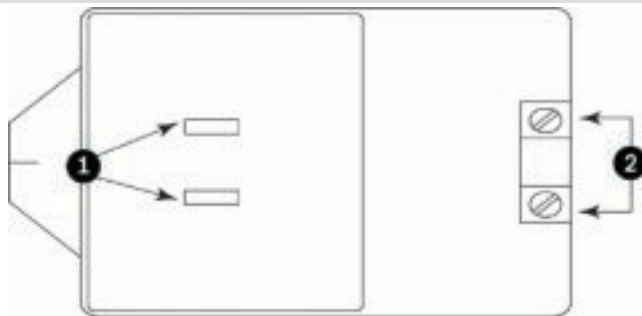
Power Supplies and Transformers



- ▶ For CCD cameras and other low power applications
- ▶ 24 VAC, 15 VDC and 12 VDC secondary output models
- ▶ Models for 120 VAC, 230 VAC and 24 VAC power sources
- ▶ Isolation transformer for 24 VAC
- ▶ Safety agency certified

The Bosch line of Power Supplies and Transformers is primarily designed for CCD cameras. Their small size and low power requirements also make them ideal for powering many other low power security products, including many Allegiant® system accessories and control devices.

Installation/Configuration Notes



RT2440SL Power Supply

- 1 Input 120 VAC, 60 Hz
- 2 To 24 VAC on Camera



TC1334 Power Supply

- 1 Input 120 VAC, 60 Hz
- 2 To 24 VAC on Camera



RTD12/3RT Power Supply (for CAM940x cameras)

- 1 Input 120 VAC, 60 Hz
- 2 To 12 VDC Regulated on Camera



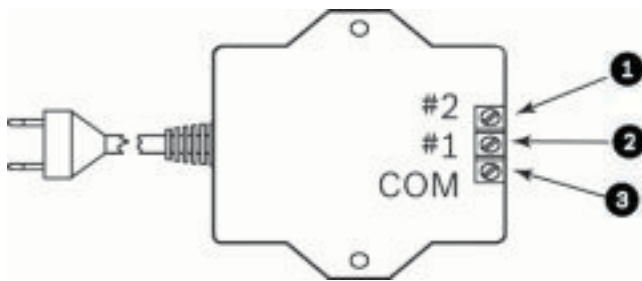
TC120PS Power Supply

- 1 Not used
- 2 To 15 VDC Terminals on Cameras



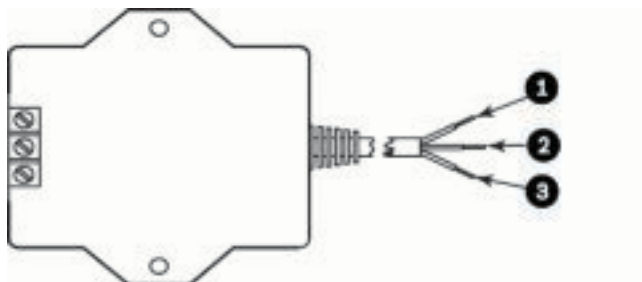
TC220PS Power Supply

- 1 Not Used
- 2 To 15 VDC Terminals on Cameras



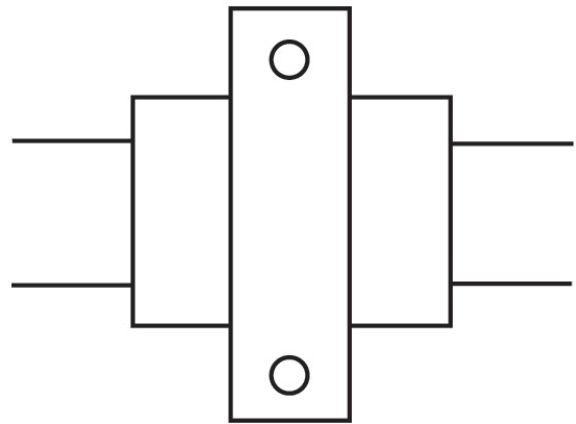
TC220PSX-24 Power Supply

- 1 To 24 VAC Terminals on Camera
- 2 With 240 VAC Input: Use #1 and COM
- 3 With 220 VAC Input: Use #2 and COM

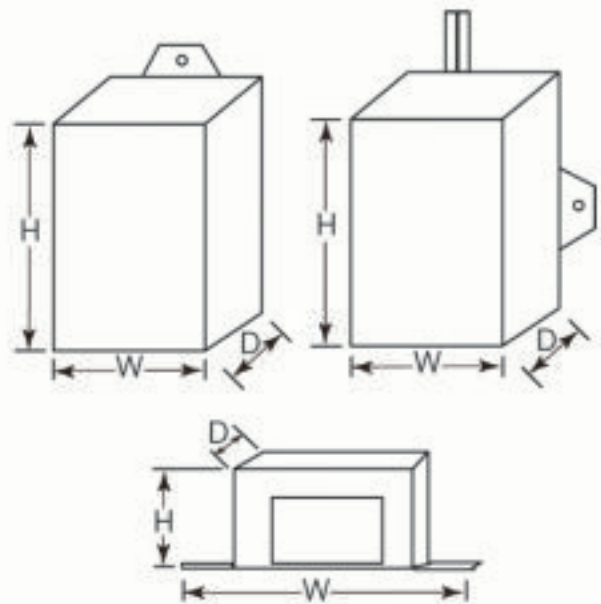


TC24PS Power Supply

- 1 Blue Not Used
- 2 Green (-) GND To 15 VDC Terminals on Camera
- 3 Brown (+) To 15 VDC Terminals on Camera



TC1382 Isolation Transformer



Dimensions Codes

Note The Dimension specified are approximate and relate to the general diagrams shown above

Technical Specifications

Model No.	Rated Input	Rated Output
RT2440SL	120 VAC 60 Hz	24 VAC 60 Hz, 40 VA
TC1334	120 VAC 60 Hz	24 VAC 60 Hz, 30 VA
RTD12/3RT	120 VAC 60 Hz	12 VDC regulated 300 mA
TC120PS	120 VAC 50/60 Hz	15 VDC, 9 VA
TC220PS	220–240 VAC 50/60 Hz	15 VDC, 9 VA
TC220PSX-24	220–240 VAC 50/60 Hz	24 VAC 50/60 Hz, 20 VA
TC24PS	24–30 VAC 50/60 Hz	15 VDC, 9 VA
TC1382 ¹	24 VAC 50/60 Hz	24 VAC 50/60 Hz, 7 VA

1. Isolation transformer.

For 120 VAC Power Sources

RT2440SL

Rated Input	120 VAC, 60 Hz
Rated Output	24 VAC, 60 Hz, 40 VA

Surge Protection

Maximum Spike Voltage	6,000 Volts
Maximum Spike Current	4,500 Amps

Connectors

Input	Two (2)
Output	Two (2) screw terminals
Construction/Finish	White plastic case
Dimensions (W x D x H)	66.8 x 57.2 x 82.6 mm (2.63 x 2.25 x 3.25 in.)
Weight	0.65 kg (1.44 lb)
Safety	UL, cUL

TC1334

Rated Input	120 VAC, 60 Hz
Rated Output	24 VAC, 60 Hz, 30 VA

Connectors

Input	2-prong
Output	Two (2) screw terminals
Construction/Finish	Beige plastic case
Dimensions (W x D x H)	70 x 56.4 x 88.9 mm (2.75 x 2.22 x 3. in.)
Weight	0.62 kg (1.36 lb)
Safety	UL

RTD12/3RT

Rated Input	120 VAC, 60 Hz
Rated Output	12 VDC regulated, 300 mA

RT2440SL

LED Indicator	Supervises power
Connectors	2-prong input, 2 screw terminals for output
Construction	Plastic case with built-in strain relief
Finish	White
Dimensions (W x D x H)	50.8 x 41.4 x 65.0 mm (2.0 x 1.63 x 2.56 in.)
Weight	0.23 kg (0.5 lb)
Product Safety	UL, cUL

TC120PS

Rated Input	120 VAC, 50/60 Hz
Rated Output	15 VDC, 9 VA

Connectors

Input	2-wire cord with plug, 2 m (6.5 ft)
Output	Screw terminals
Construction/Finish	Black plastic
Dimensions (W x D x H)	63.5 x 54 x 82.6 mm (2.5 x 2.12 x 3.25 in.)
Weight	0.65 kg (1.44 lb)
Safety	UL, CSA

For 220–240 Vac Power Sources

TC220PS

Rated Input	220–240 VAC, 50/60 Hz
Rated Output	15 VDC, 9 VA

Connectors

Input	2-wire cord with plug, 2 m (6.5 ft)
Output	Screw terminals
Construction/Finish	Black plastic
Dimensions (W x D x H)	63.5 x 54 x 82.6 mm (2.5 x 2.12 x 3.25 in.)
Weight	0.60 kg (1.33 lb)
Safety	GS, CE

TC220PSX-24

Rated Input	220–240 VAC, 50/60 Hz
Rated Output	24 VAC, 50/60 Hz, 20 VA

Connectors

Input	2-wire cord with plug, 2 m (6.5 ft)
Output	Screw terminals
Construction/Finish	Black plastic
Dimensions (W x D x H)	63.5 x 54 x 82.6 mm (2.5 x 2.12 x 3.25 in.)
Weight	0.78 kg (1.72 lb)
Safety	GS, CE

For 24 VAC Power Sources**TC24PS**

Rated Input	24 VAC to 30 VAC, 50/60 Hz
Rated Output	15 VDC, 9 VA

Connectors

Input	Screw terminals
Output	Wire leads, 3.6 m (12 ft)
Construction/Finish	Black plastic
Dimensions (W x D x H)	63.5 x 54 x 82.6 mm (2.5 x 2.12 x 3.25 in.)
Weight	0.73 kg (1.61 lb)

TC1382 Isolation Transformer

Rated Input	24 VAC, 50/60 Hz
Rated Output	24 VAC, 50/60 Hz, 7 VA

Connectors

Input	Black wire leads, 203 mm (8 in.)
Output	Brown wire leads, 203 mm (8 in.)
Construction/Finish	Uncased
Dimensions (W x D x H)	82.6 x 51 x 50 mm (3.25 x 2 x 1.95 in.)
Weight	0.45 kg (1 lb)

Ordering Information

RTD12/3RT Power Supply Unit 120 VAC, 60 Hz, 12 VDC (regulated)	RTD12/3RT
--	------------------

RT2440SL Power Supply Unit 120 VAC/24 VAC, 60 Hz, 40 VA	RTC2440SL
---	------------------

TC1334 Power Supply Unit 120 VAC/24 VAC, 60 Hz, 30 VA	TC1334
---	---------------

TC120PS Power Supply Unit 110-120 VAC/12 VDC, 50/60 Hz, 300 mA	TC120PS
--	----------------

TC220PS Power Supply Unit 230 VAC/12 VDC, 50 Hz, 10 VA	TC220PS
--	----------------

TC220PSX-24 Power Supply Unit 230 VAC/24 VAC, 50 Hz, 20 VA	TC220PSX-24
--	--------------------

TC24PS Power Supply Unit 24 VAC/15 VDC, 50/60 Hz, 9 VA	TC24PS
--	---------------

TC1382 Isolation Transformer 24 VAC	TC1382
---	---------------

Americas:
Bosch Security Systems, Inc.
130 Perinton Parkway
Fairport, New York, 14450, USA
Phone: +1 800 289 0096
Fax: +1 585 223 9180
security.sales@us.bosch.com
www.boschsecurity.us

Europe, Middle East, Africa:
Bosch Security Systems B.V.
P.O. Box 80002
5600 JB Eindhoven, The Netherlands
Phone: +31 40 2577 284
Fax: +31 40 2577 330
emea.securitysystems@bosch.com
www.boschsecurity.com

Asia-Pacific:
Bosch Security Systems Pte Ltd
38C Jalan Pemimpin
Singapore 577180
Phone: +65 6319 3450
Fax: +65 6319 3499
apr.securitysystems@bosch.com
www.boschsecurity.com

Represented by